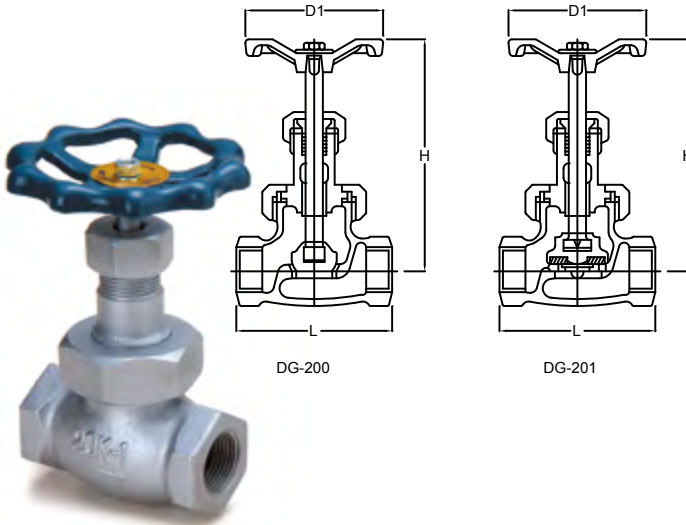




DUCTILE IRON GLOBE VALVE CLASS 20K

ISO 9001



DG-200

DG-201

Dimension		mm					
Size	inch	1/2	3/4	1	1.1/4	1.1/2	2
	mm	15	20	25	32	40	50
L		75	90	105	120	135	160
H (open)		130	155	165	175	200	225
D1		80	100	120	120	140	180

* The available Thread: BS21 or ANSI B2.1

DG-200	Below 120°C	28 kgf/cm ²
(SUS Disc)	Below 220°C Steam, Air, Gas, Oil	25 kgf/cm ²
	300°C Steam, Air, Gas, Oil	23 kgf/cm ²
	350°C Steam, Air, Gas, Oil	20 kgf/cm ²
DG-201	Below 120°C	28 kgf/cm ²
(Teflon Disc)	Below 180°C Steam, Air, Gas, Oil	20 kgf/cm ²

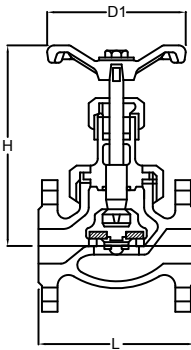
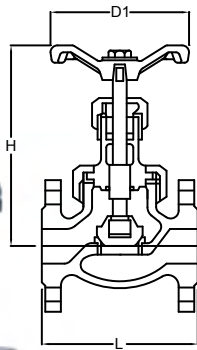
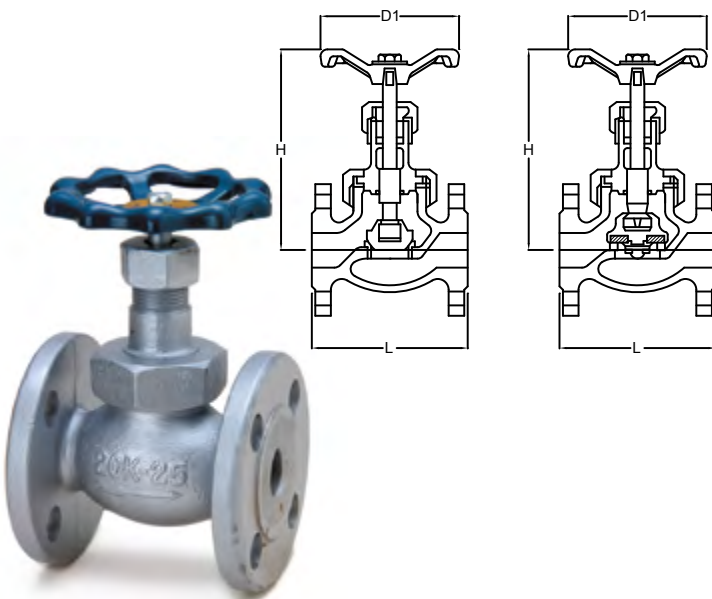
Test Pressure

Body	44 kgf/cm ² (Hydrostatic)
Seat	32 kgf/cm ² (Hydrostatic)
	6 kgf/cm ² (Air)

Material

Model	DG-200	DG-201
Body	FCD	FCD
Bonnet	FCD	FCD
Stem	SUS 410	SUS 410
Disc	SUS 410	PTFE+15%GF
Lock Nut	FCD	FCD
Seat Ring	SUS 410	SUS 410
Gland	B 62	B 62
Gland Packing	GRAPHITE	GRAPHITE
Packing Nut	FCD	FCD
Handwheel	FCD	FCD
Wheel Nut	SS 41	SS 41
Gasket	ASBESTOS SHEET	
Name Plate	ALUMINUM	ALUMINUM

DUCTILE IRON GLOBE VALVE CLASS 20K



Dimension		mm					
Size	inch	1/2	3/4	1	1.1/4	1.1/2	2
	mm	15	20	25	32	40	50
L		110	120	130	160	180	230
H (open)		133	155	165	175	200	225
D1		80	100	120	120	140	180

* End Flanged Dimensions to JIS 20K.

DG-206	Below 120°C	28 kgf/cm ²
(SUS Disc)	Below 220°C Steam, Air, Gas, Oil	25 kgf/cm ²
	300°C Steam, Air, Gas, Oil	23 kgf/cm ²
	350°C Steam, Air, Gas, Oil	20 kgf/cm ²
DG-207	Below 120°C	28 kgf/cm ²
(Teflon Disc)	Below 180°C Steam, Air, Gas, Oil	20 kgf/cm ²

Test Pressure

Body	44 kgf/cm ² (Hydrostatic)
Seat	32 kgf/cm ² (Hydrostatic)
	6 kgf/cm ² (Air)

Material

Model	DG-206	DG-207
Body	FCD	FCD
Bonnet	FCD	FCD
Stem	SUS 410	SUS 410
Disc	SUS 410	PTFE+15%GF
Lock Nut	FCD	FCD
Seat Ring	SUS 410	SUS 410
Gland	B 62	B 62
Gland Packing	GRAPHITE	GRAPHITE
Packing Nut	FCD	FCD
Handwheel	FCD	FCD
Wheel Nut	SS 41	SS 41
Gasket	ASBESTOS SHEET	
Name Plate	ALUMINUM	ALUMINUM